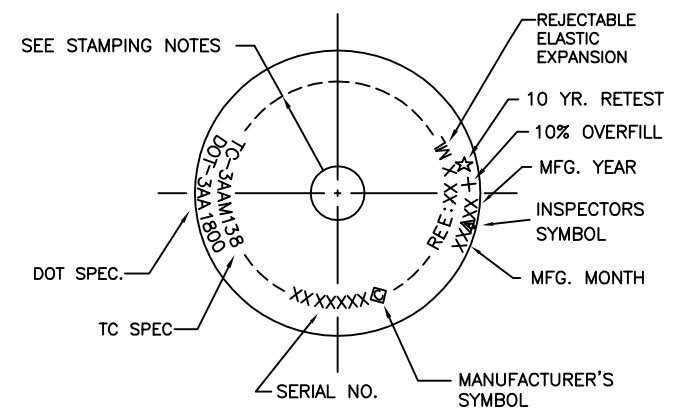
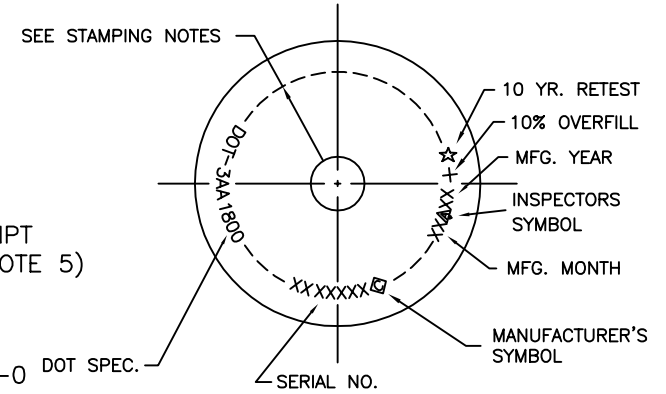
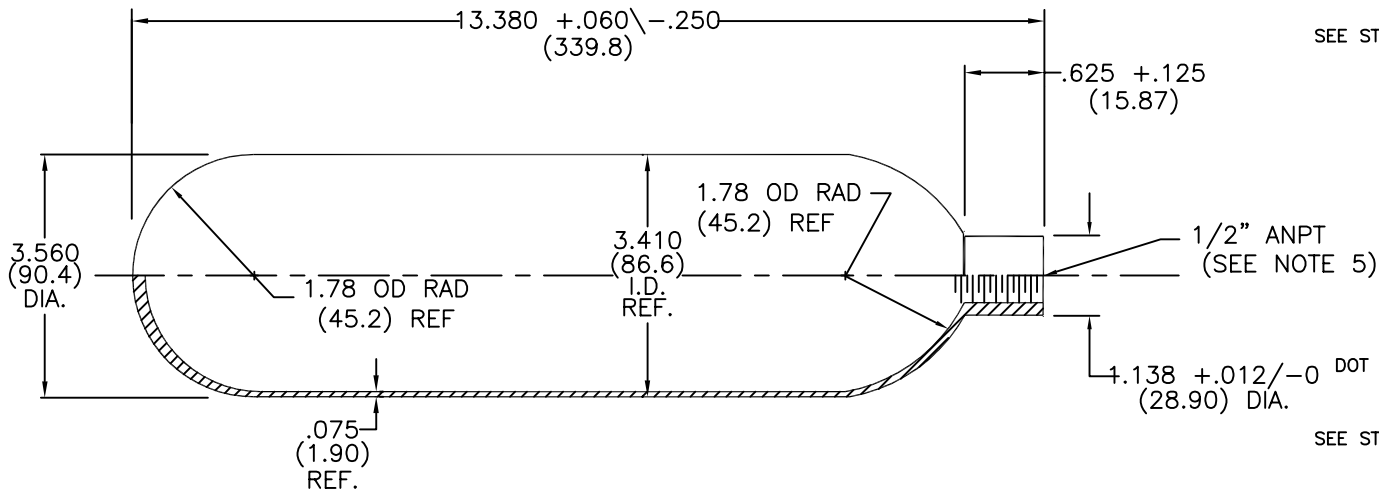


DOT/TC STAMPING LAYOUT:
NOT TO SCALE
CHARACTER HEIGHT:
3/16" ALL



SPECIFICATION	DOT-3AA	TC-3AAM
WEIGHT	3.94 LBS NOM - 4.19 LBS MAX	1.80 KG NOM - 1.90 KG MAX
VOLUME	101 CU IN NOM	1.6 L MIN
SERVICE PRESSURE	1,800 PSIG	138 BAR
TEST PRESSURE	3,000 PSIG	20.70 MPa

STAMPING NOTES:
1. CENTERLINE OF STENCILING IS TO BE 0.500" FROM THE NECK O.D. OF THE CYLINDER.

CONFIDENTIAL
DO NOT DUPLICATE

NON-CONTROLLED DOCUMENT
QA/PC DEPARTMENT
REFERENCE ONLY

NOTES:

- MATERIAL: 4130
- INTERNAL CLEANING: ALKALINE-STEAM-NITROGEN PURGE
VAPOR BLAST
ZINC PHOSPHATE PER TT-C-490 AND FOR A MIN OF 1000 MG PER SQ FT
- EXTERNAL FINISH: SHOTBLAST
PAINT PER WORK ORDER
- PACKAGING: PLUG INLET WITH 1/2" ANPT PLUG
- THREADS TO CONFORM TO MIL-P-7105

1	REV. LOGO	DLH	4/15/13
REV	DESCRIPTION	BY	DATE
UNITS INCHES (mm)		HUNTSVILLE FACILITY 521 GREEN COVE ROAD HUNTSVILLE, AL 35803 USA	
TOLERANCES (EXCEPT NOTED)			
DECIMAL ± .01	TITLE	96 IN ³ DRAWN CYLINDER, (7 FT ³)	
ANGULAR ± 1 DEG	DATE	DRAWING NUMBER	
	2/1/07	3240313-XX	

DRWN.	D. HARRIS
CHKD.	DLH 4/15/13
APPD.	PW 4/15/13
SCALE	NONE