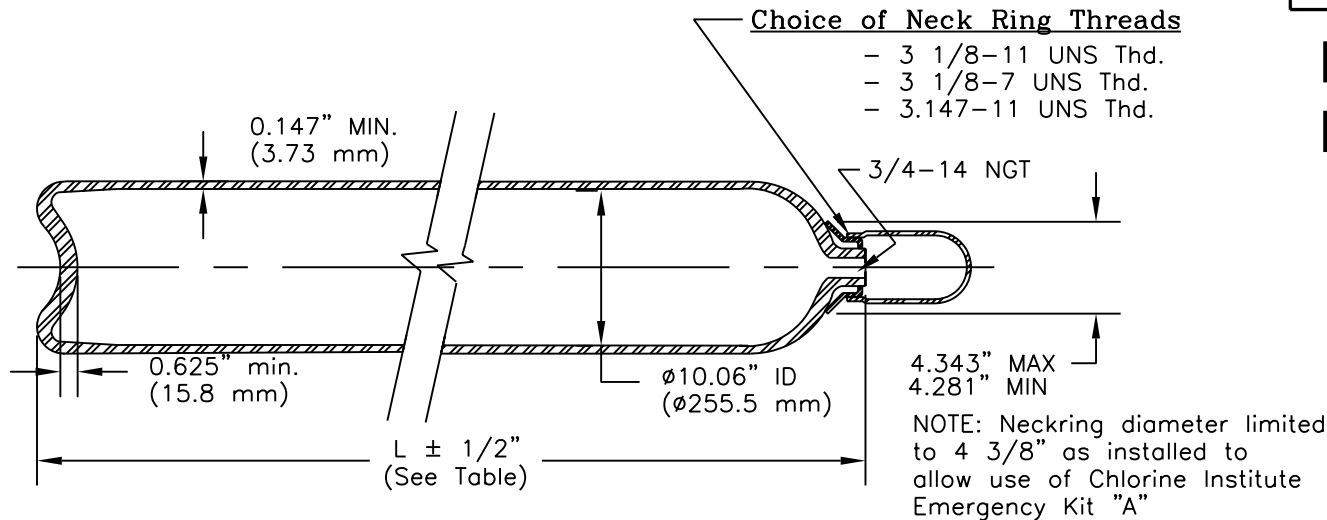



REV.	ECN - DESCRIPT.	DATE	DRWN.	CHKD.	APP.
01	1247	3/27/95			

# DRAWING FOR REFERENCE ONLY



CYLINDER MODEL	CYLINDER LENGTH "L" in (mm)	MINIMUM WATER CAPACITY in <sup>3</sup> (liter)	APPROXIMATE CYLINDER WEIGHT lbs (kg)
10CL100	34 (864)	2225 (36.4)	80 (36.3)
10CL150	48 (1219)	3328 (54.4)	105 (47.6)

<b>SPECIFICATION: DOT 3AA 480</b>		<b>3. Manufacture:</b> Hot billet pierced followed by hot drawing.
<b>1. Principal Elements:</b> - Service pressure: 480 psi (33.1 bar) - Test pressure: 800 psi (55.2 bar)		<b>4. Heat Treatment: Q &amp; T</b>
<b>2. Material:</b> Chrome-Moly steel, (A.I.S.I. 4130X)		<b>5. Norris Standard Mechanical Properties:</b> - Tensile: ≥ 105,000 psi - Elong.: ≥ 20% (on 2" gauge) - Flattening: to 6xt without cracks
<b>D.O.T. Wall Stress Calculations:</b> $S = P(1.3D^2 + 0.4d^2)/(D^2 - d^2)$		
S = Maximum wall stress, psi	$s = \frac{800 [ 1.3 (10.354)^2 + 0.4 (10.06)^2 ]}{(10.354)^2 - (10.06)^2}$	
P = Test pressure, psi		
D = Outside diameter, inch		
d = Inside diameter, inch	s = 23,973 psi (165.3 MPa)	

 <b>NORRIS CYLINDER COMPANY</b> P.O. BOX 7486 LONGVIEW, TEXAS 75607				
<b>SEAMLESS STEEL CHLORINE CYLINDERS</b>				
SCALE	NOT TO SCALE		DRAWING NO.	REV.
DWN. BY	M.Benham	2/26/92	901A-B-9142	01
CHK'D BY	R.Shafkey	2/26/92		
APP'D BY	B.Arnold	2/26/92	SHEET NO. 1	OF 1 SHEETS